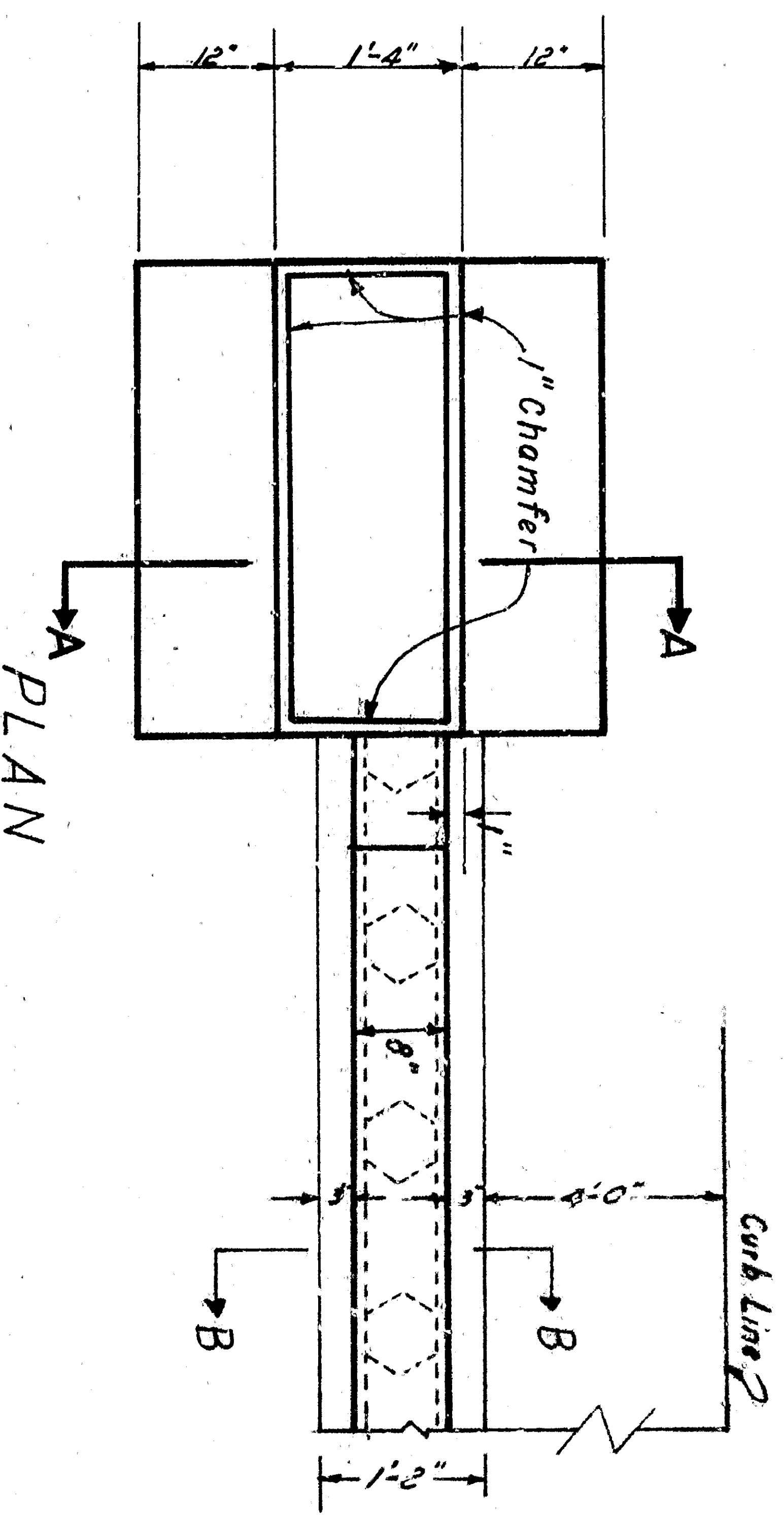


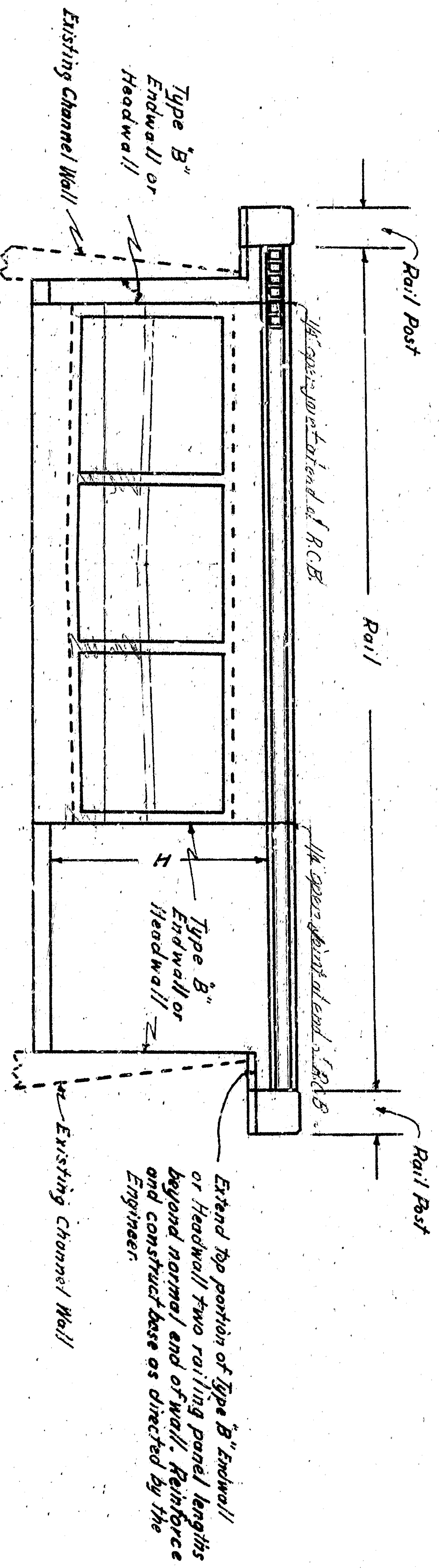
OUTSIDE ELEVATION

SECTION B-B

SECTION A-A



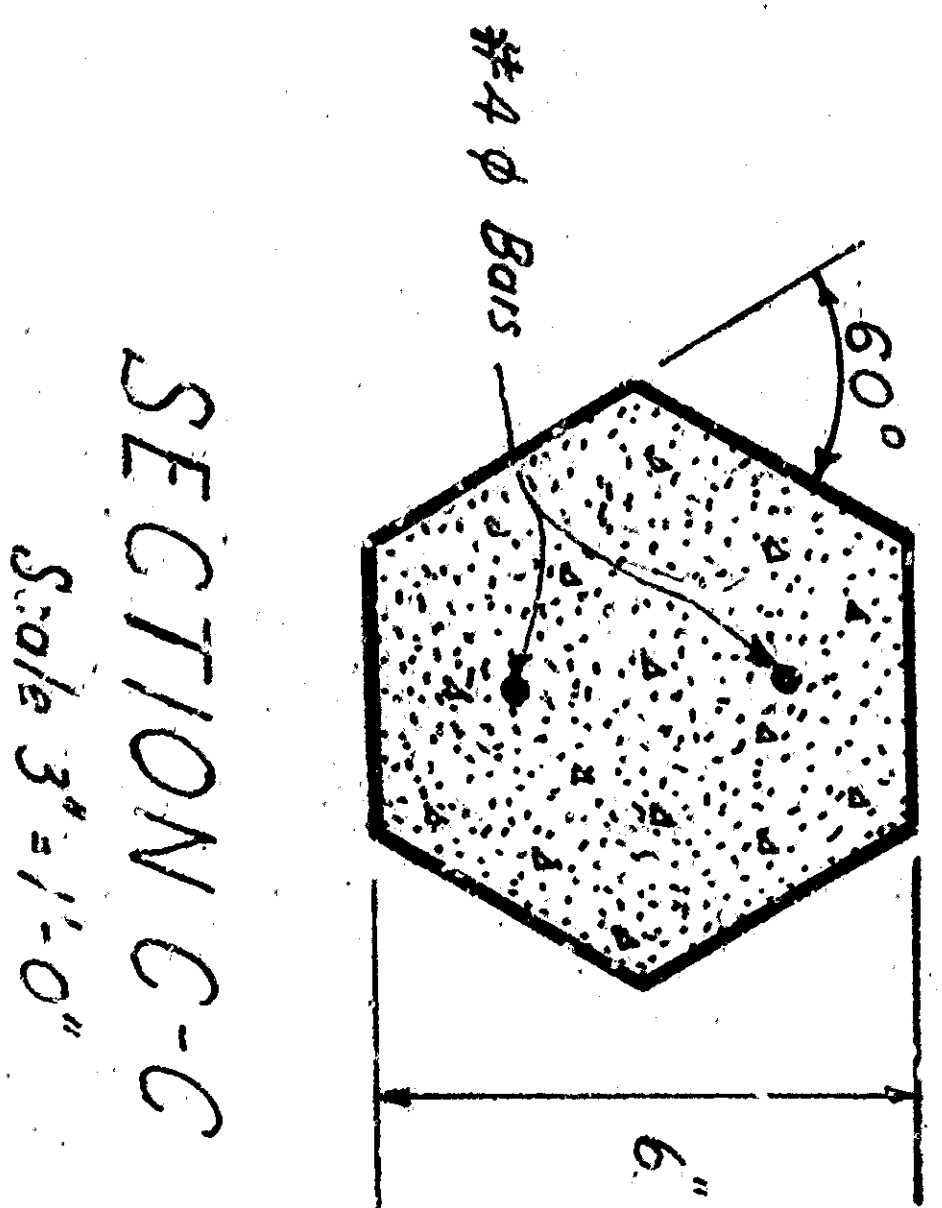
DETAILS CONCRETE RAIL & END POST



NOTE:

H dimension (also see sheet A-60) for endwalls on V headwalls has been computed to be as follows:
 NW Endwall of RC B-17-57 Use: W=10'-3", C=3'-1", B=7'-2", E=1'-4", S=1'-11 1/2"
 SW Endwall of RC B-17-58 Use: W=8'-3", C=3'-1", B=7'-2", F=1'-4", S=1'-11 1/2"
 NE Endwall of RC B-16-40 Use SH dimensions for H-16
 SE Endwall of RC B-16-40 Use SH dimensions for H-16

SECTION C-C

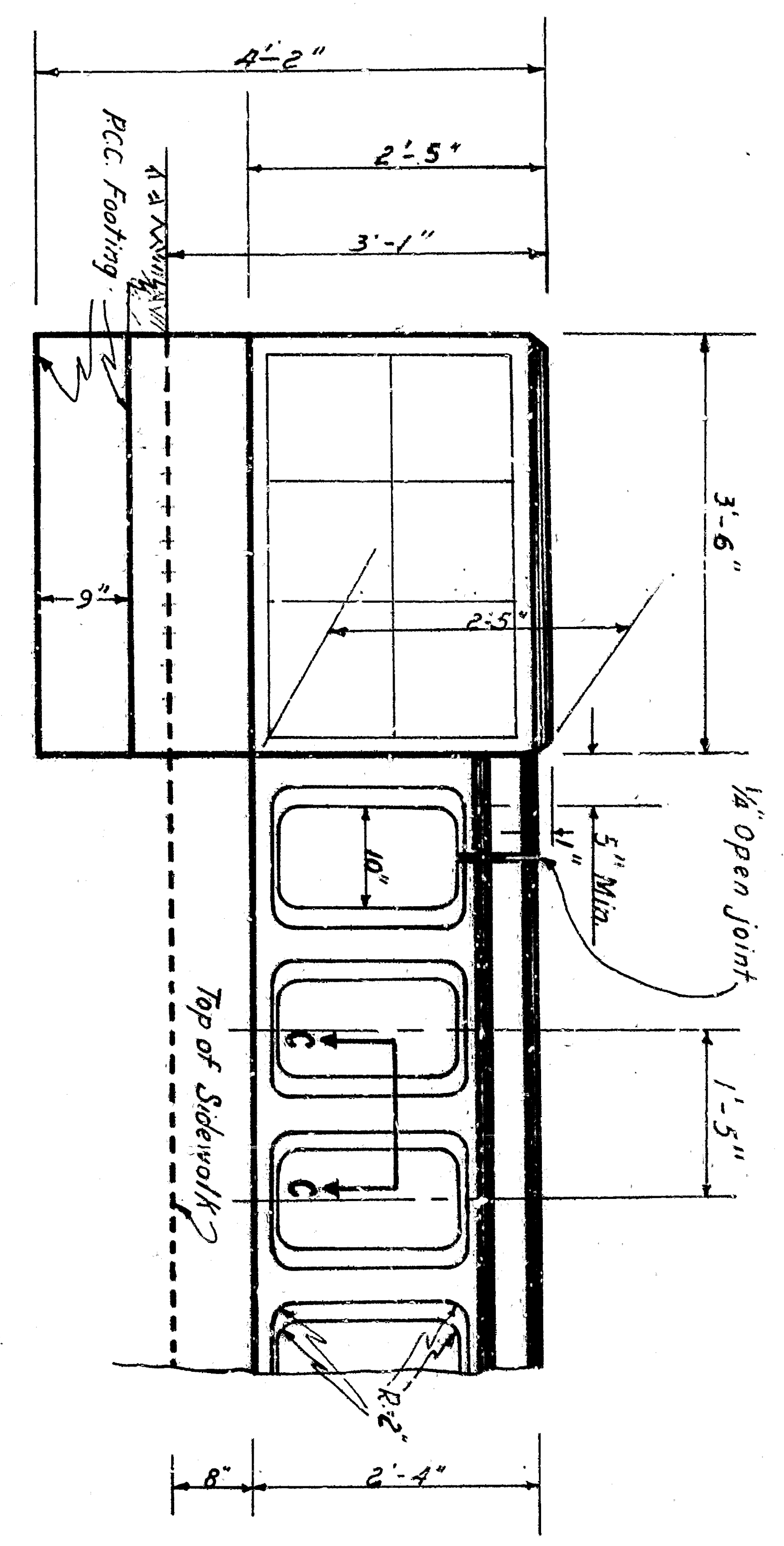
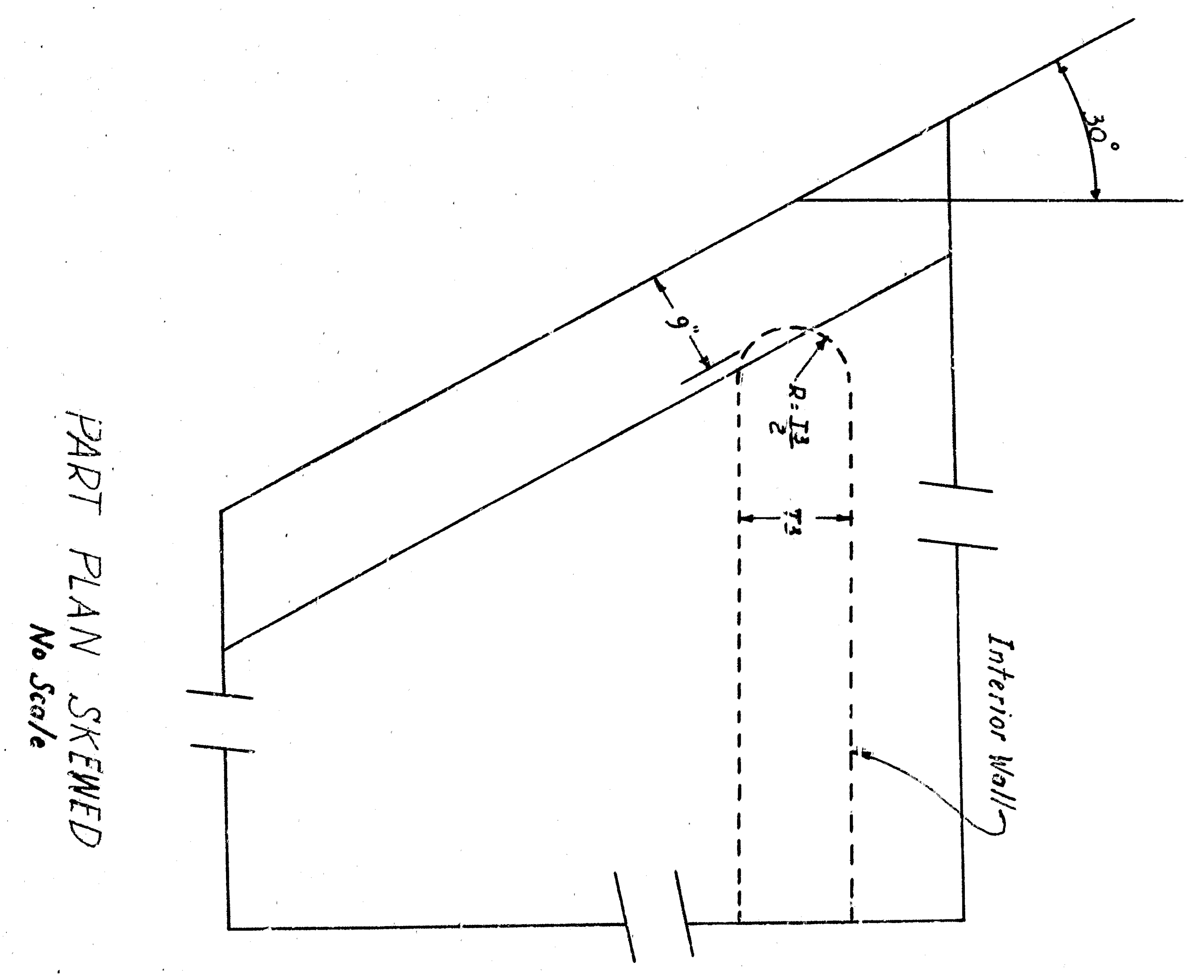
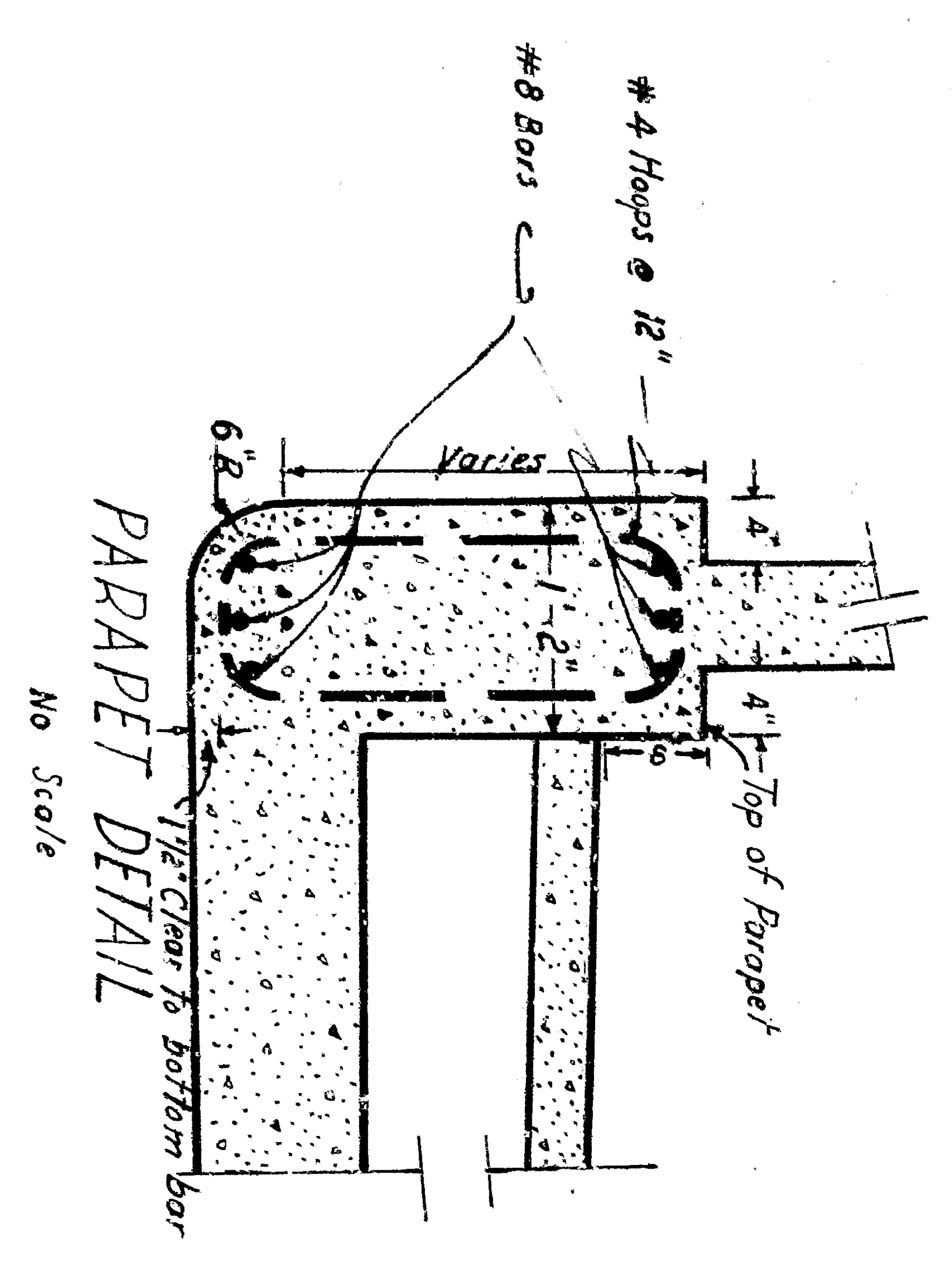


NOTES

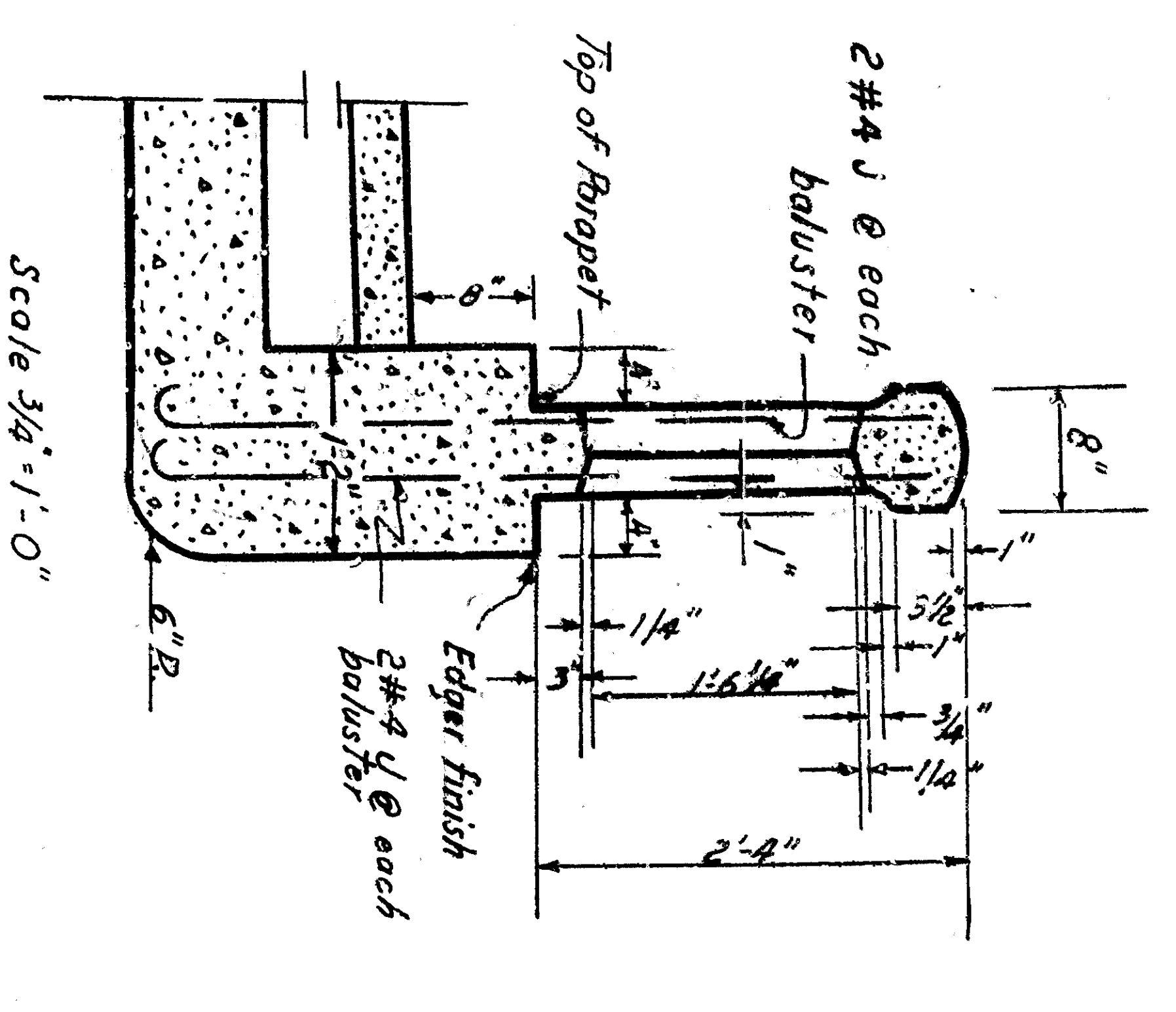
- Open joints top of rail
- Open joints shall be placed of cut joints of the first opening adjacent to the end post, and of 15' ± centers maximum, unless otherwise specified.
- Expansion joints in base of rail
- Expansion joints shall be placed of cut joints unless otherwise specified.
- Structures set on a grade
- When structure is set on a grade the balusters are to be set vertical and the bottoms set horizontal.

ARROWHEAD AVENUE
 Between Radio Avenue and Third Street

July 14, 1954
 Ronald E. Wolford
 5322

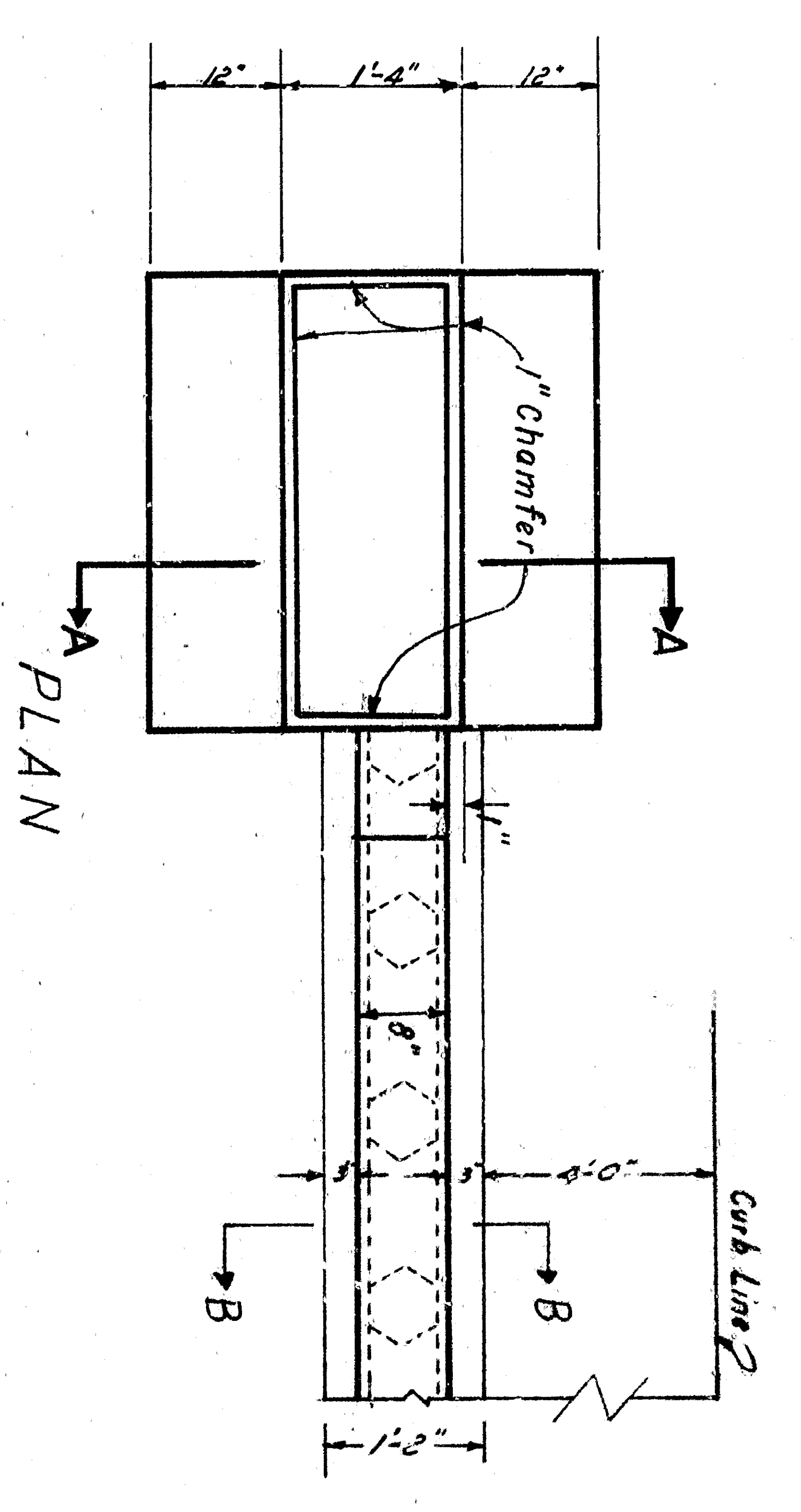
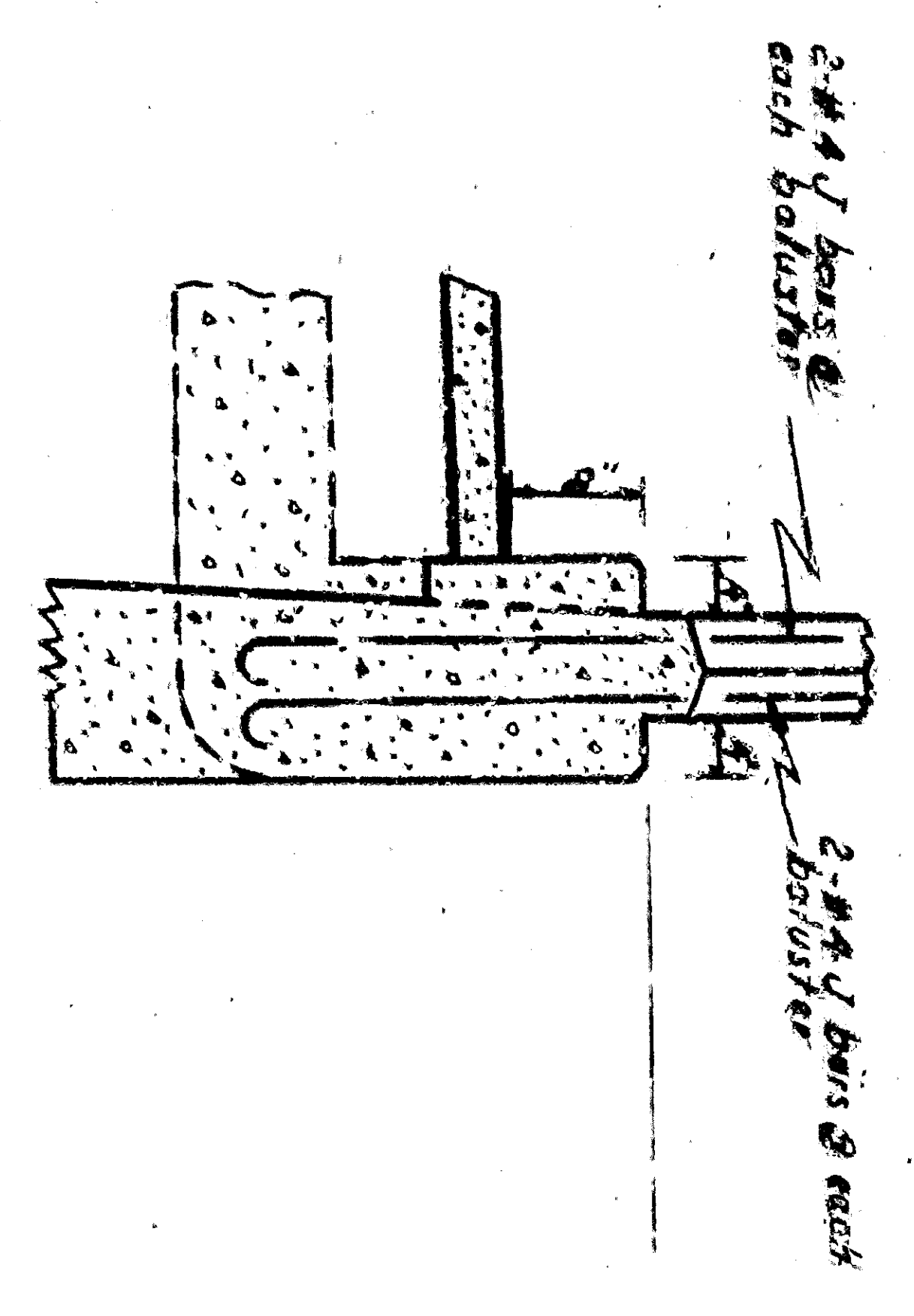


OUTSIDE ELEVATION
Scale 3/8"=1'-0"

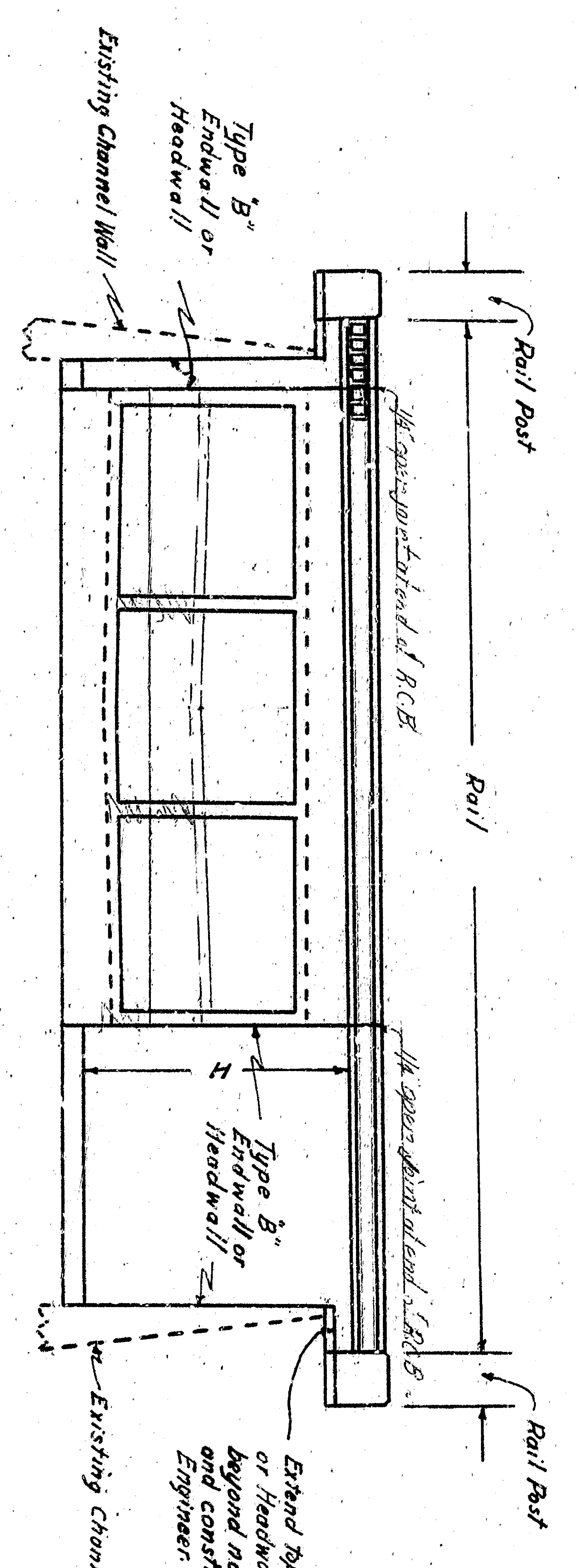


SECTION B-B
Scale 3/8"=1'-0"

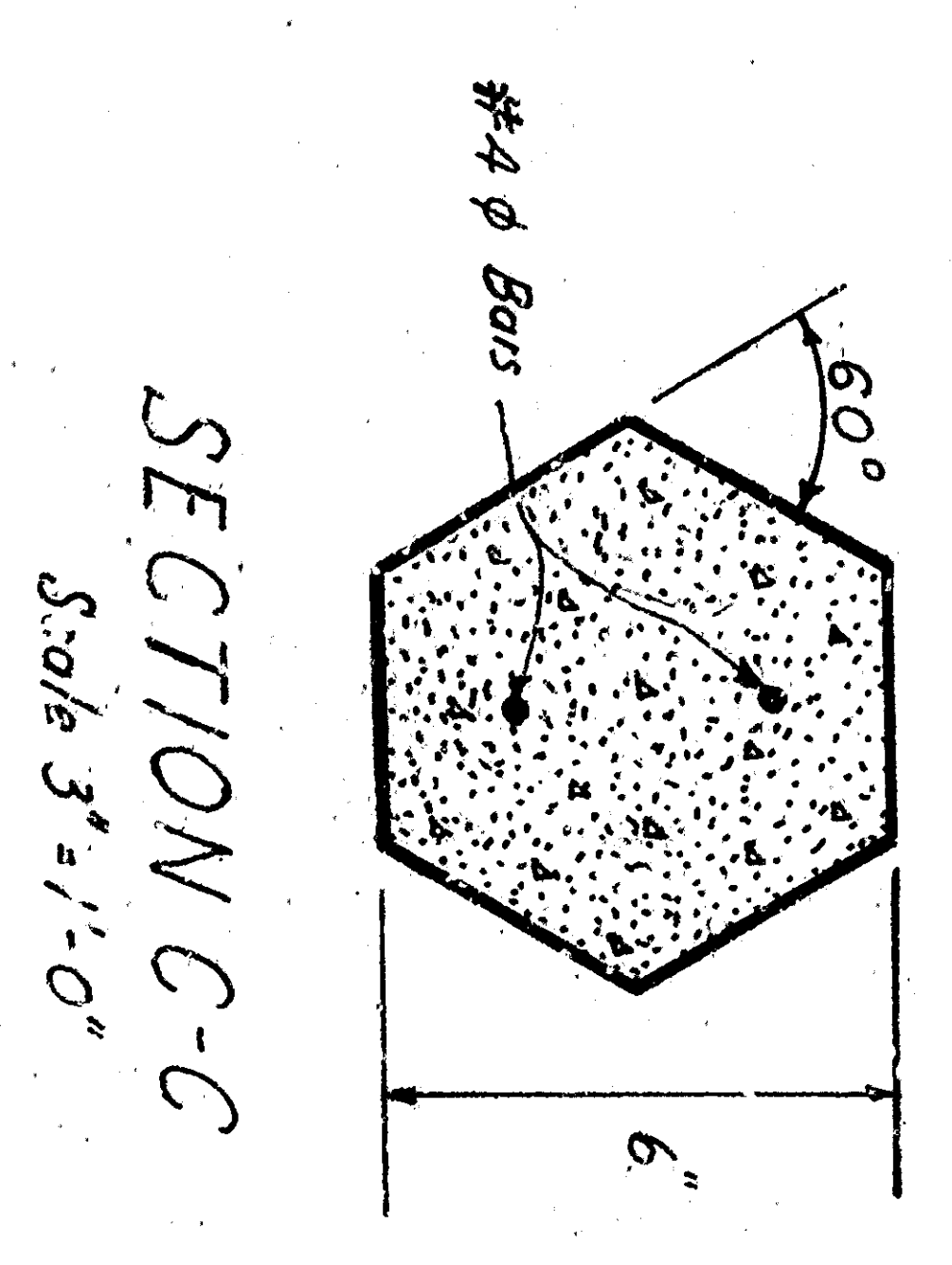
DETAIL FOR CONCRETE RAIL ON HEADWALL OR ENDWALL



DETAILS CONCRETE RAIL & END POST
Scale 3/8"=1'-0"



Extend the portion of Type B Endwall or Headwall two railing panel lengths beyond terminal end of wall. Reinforce and construct as directed by the Engineer.

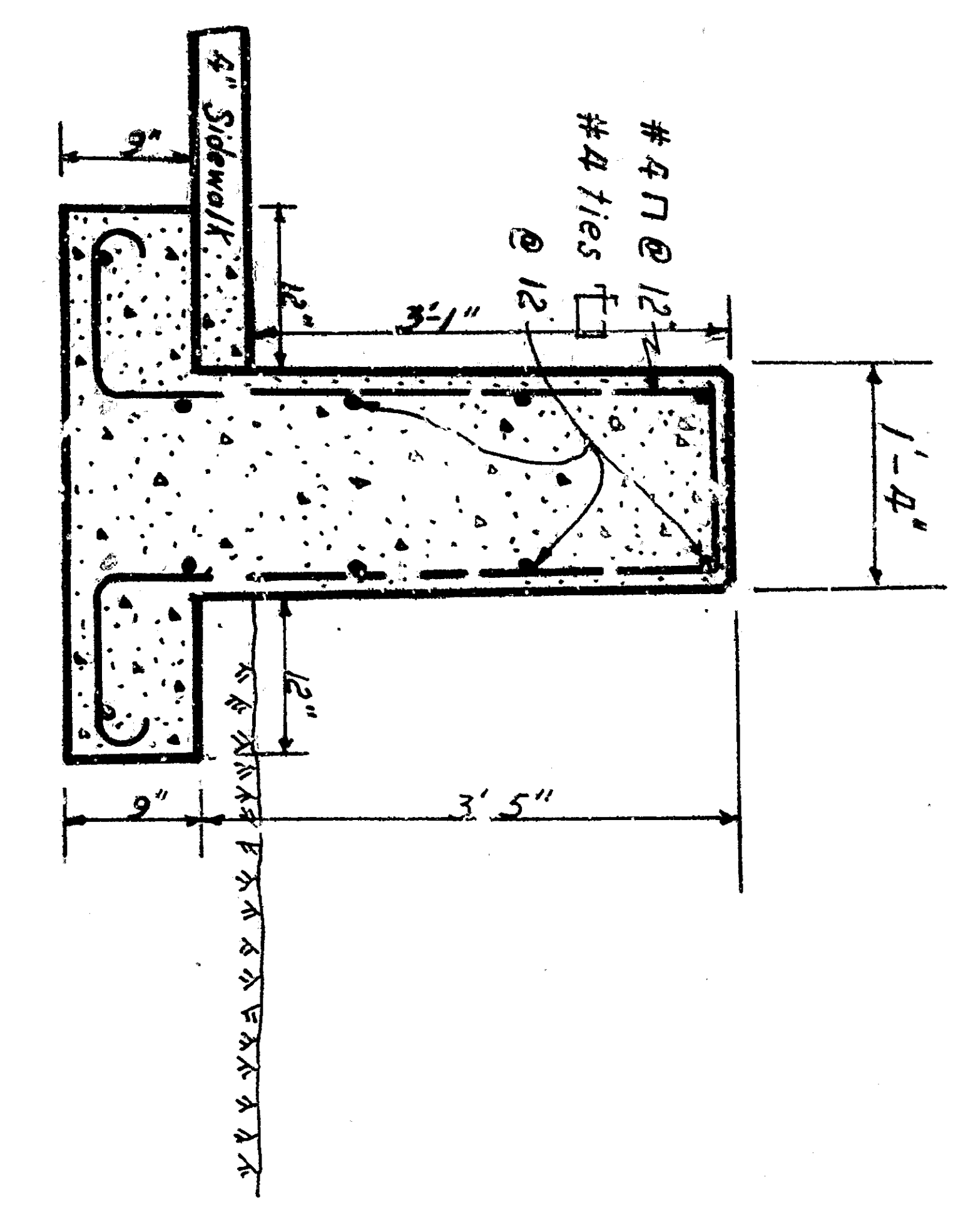


SECTION C-C
Scale 3/8"=1'-0"

NOTES

- Open joints top of rail
- Open joints shall be placed of curb joints of the first opening adjacent to the end post, and of 15' ± centers maximum, unless otherwise specified.
- Expansion joints in base of rail
- Expansion joints shall be placed of curb joints unless otherwise specified.
- Structures set on a grade
- When structure is set on a grade the bolsters are to be set vertical and the bottoms set horizontal.

SECTION A-A
Scale 3/8"=1'-0"



NOTE:
H dimension (also see sheet A-60) for endwalls on V headwalls has been computed to be as follows:
NW Endwall of RC B-17-57 Use: W=10'-3", C=3'-1", B=7'-2", E=1'-4", S=1'-11 1/2"
SW Endwall of RC B-17-58 Use: W=10'-3", C=3'-1", B=7'-2", E=1'-4", S=1'-11 1/2"
NE Endwall of RC B-16-10 Use SH dimensions for H-16
SE Endwall of RC B-16-04 Use SH dimensions for H-16

ARROWHEAD AVENUE
Between Radio Avenue and Third Street

July 14, 1954
Ronald E. Wolford
3872